



edilon)(sedra Corkelast® EBS Embedded Block System

case

Edition 164 | 2017



Location	Zaandam, The Netherlands
Project	Hemtunnel Zaandam
Length	2 x 1.550 m track
Application	2017
Rail profile	54E1
System	edilon)(sedra Corkelast® EBS (Embedded Block System)
Target	The Corkelast® based block system offers an easy and flexible installation and therefore a very short out-of-service period. Furthermore EBS is applied because of its durable characteristics. The system ensures a strong reduction of dynamic loads, vibrations and excellent electrical insulation which is important in areas with moisture and/or risk for corrosion.
Client	VolkerRail

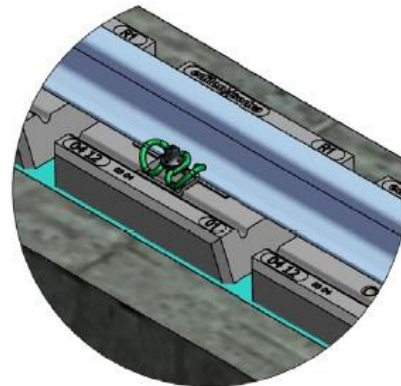
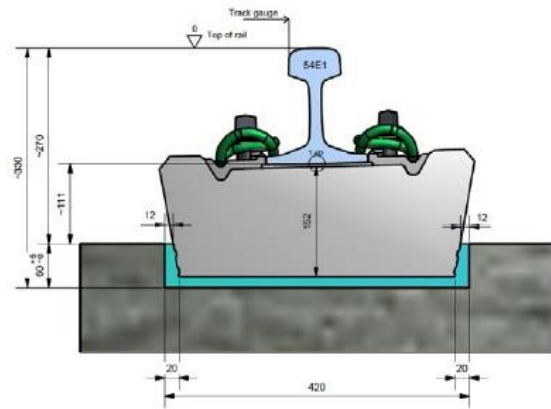
Always a step ahead
in rail systems!

edilon)(sedra
www.edilonsedra.com

edilon)(sedra Corkelast® EBS Embedded Block System

case

Edition 164 | 2017



EBS designs for the Hemtunnel (the light blue marked part is the Corkelast® bonding elastomer)

edilon)(sedra stands for:

-)(Tailor-made solutions for railways and urban transit
-)(Manufacturer of "noise & vibration reducing systems" developed in our R&D lab facilities
-)(Your partner for DCM-projects (Design Construct Maintain)
-)(Decades of practice-proven systems and technology

edilon)(sedra
www.edilonsedra.com